

ORTHOSCAN VERSA

MECHANICAL

Free space	13.8"
Versa C-arm weight	35 lb
Versa C-arm height	22.3"
Versa C-arm footprint (W x L)	9.8" x 19.6"
Monitor weight	28 lb
Monitor height	16"
Monitor footprint (W x L)	4.3" x 25.3"
Accessory cart weight	200 lb
Accessory cart height	54"
Accessory cart footprint (W x L)	28" x 30"
Arc depth	11"
Orbital rotation (over rotation)	180°
Pivot rotation	430°

DETECTOR

Type	Flat Panel Detector
Detector resolution	1536 x 1536
Pixel spacing	100 microns

PERFORMANCE

Start up time	60 sec
Shutdown time	20 sec

MONITOR

Display size	24" LCD
Primary "live" image	10.5" x 10.5"
Dual reference images	5" x 5"
Brightness	660 cd/m ²
Resolution	1920 x 1080
Interface	DVI
Arm horizontal reach	20"
Arm vertical height	16"
Arm vertical travel	11.5"
Arm lateral rotation	180° + 180°
Touchscreen	✓
HDMI (external monitor)	✓
Built-in DICOM calibration	✓
Color support	✓

ELECTRICAL

Input power	100-240 VAC @ 50-60 Hz
Sterile field controls	Single
Multifunction wireless foot switch	✓
Laser alignment	✓
USB 2.0 port	✓

X-RAY GENERATOR

Focal spot	42.5 microns
kV range	40 - 78 kVp
mA range	0.040 - 0.160 mA
Operating mode	Pulse / Continuous
Selectable pulse rate	Cont, 30, 15, 7.5, 2
Collimator	Fixed (normal, mag)
Pediatric filter	✓
Magnification mode	✓

DOCUMENTATION

Wireless communication	Optional
Printer	Optional
Image capacity	108,000
Video capacity	60 min
Cine loop frame rate	30 fps
Adaptive noise suppression	Automatic
Manual noise suppression	3 Modes
Cine loop export	✓
EMR connectivity	✓
Edge enhancement	✓
Post process brightness / contrast	✓
DICOM 3.0 compliant	✓
DICOM Storage SCU	
DICOM Worklist SCU	
DICOM Print SCU	
DICOM MPPS SCU	
DICOM DoseSR SCU	
DICOM Query SCU	
DICOM Storage Commitment	

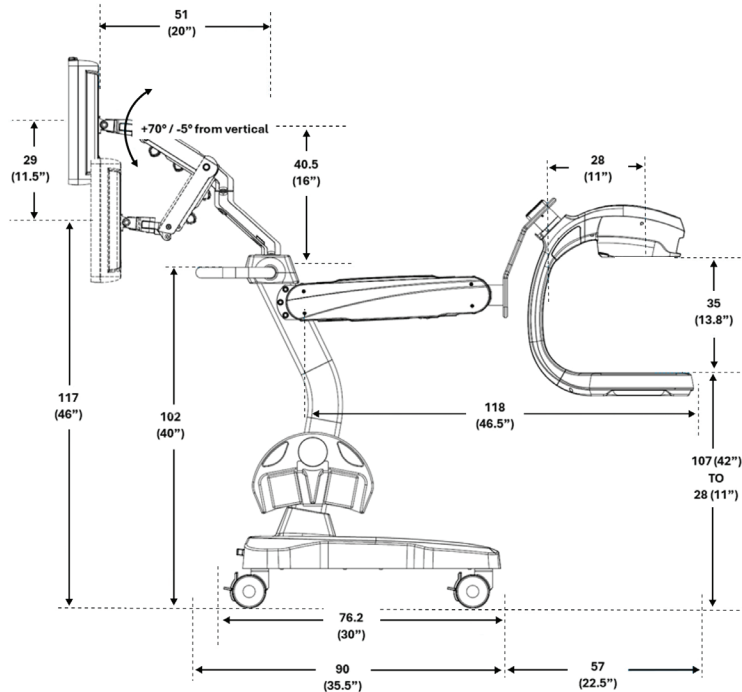
BRAKES & WHEELS

Braking system	Lock & release
Ground clearance	4.5"

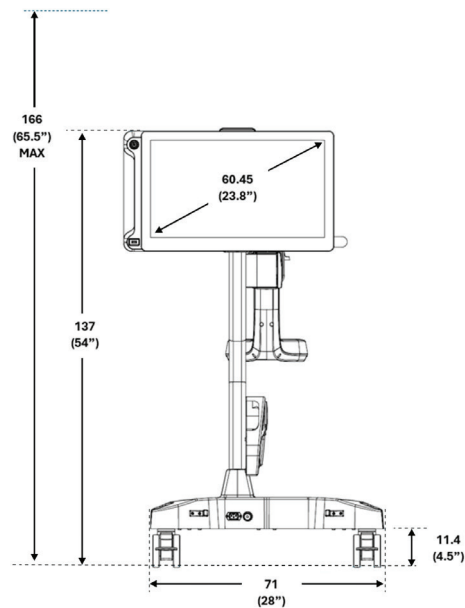
SOFTWARE

User Interface	Orthotouch™ 2.0
Operating system	Linux
Pediatric workflow support	✓
On-screen measurements	✓

ACCESSORY CART

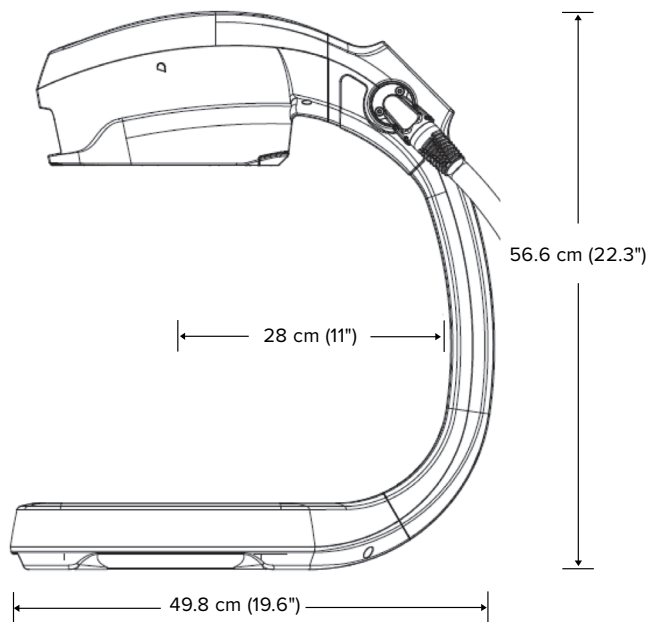


SIDE

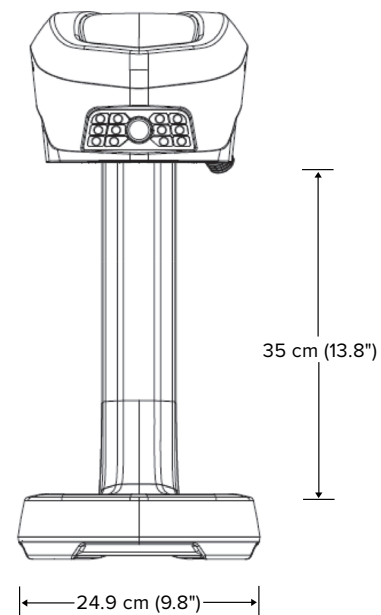


FRONT

VERSA



SIDE



FRONT